

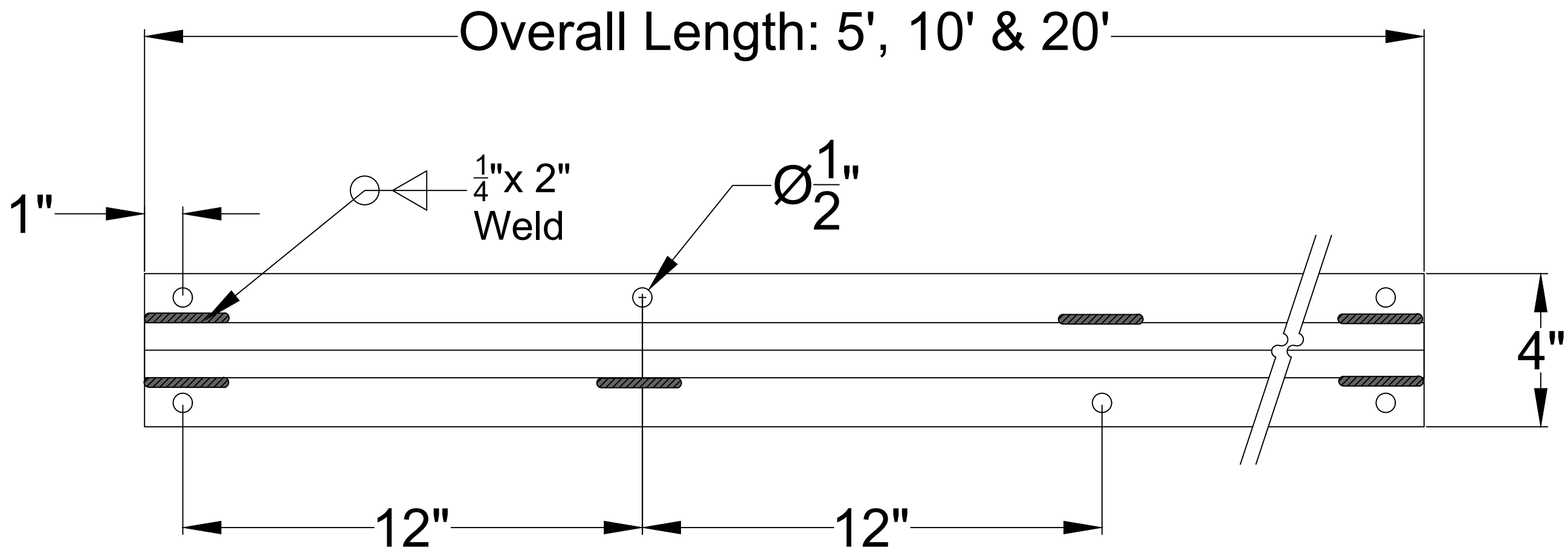
REVISIONS	
DESIGN	08/06/2018

50 SLOAN CT TRACY CA

Heavy V Ground Track

DATE:	08/06/2018
DRAWN BY:	JWM
SCALE:	
JOB NO.:	

SHEET
 1 OF 1



Copyright © 2018 Torxun. Reproduction and distribution of these plans without written permission is prohibited.

1