

Barrier Arm Accessories

Folding Arm Assembly Kit



- Durable, self lubricating joint assembly
- Adjustable bracket and cable
- 15 minute installation time
- Fits **TORXUN** 2.50" square PVC barrier arms

Square Arm Adapter

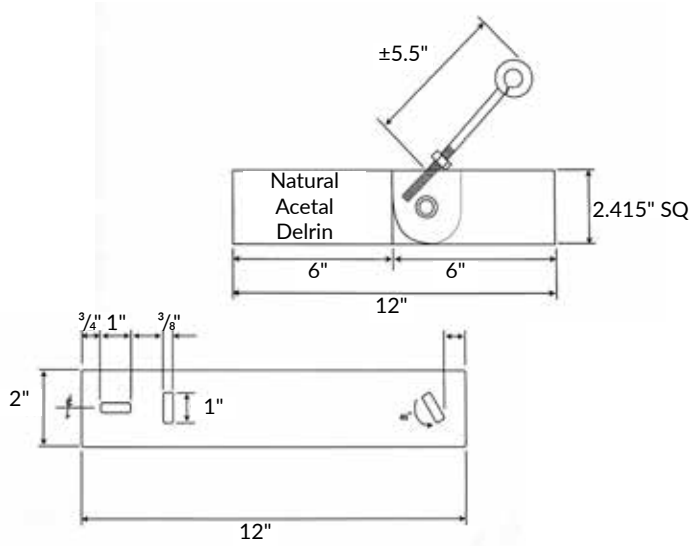


- Fits most barrier arm operator sandwich plates
- Zinc-plated for corrosion resistance
- Fits **TORXUN** 2.50" square PVC barrier arms
- Simple, 5 minute installation

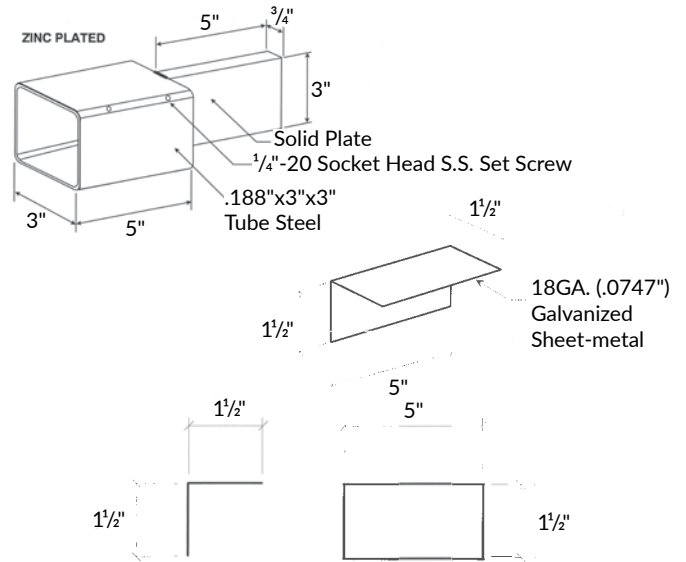


TORXUN Arm Accessories

Folding Arm Assembly Kit



Square Arm Adapter



Technical Data

Folding Assembly	12" x 2.415" x 2.145"
Maximum inner arm length	6 ft
Weight (of kit)	5 lbs

Product

Part

Folding Arm Assembly kit	A300.010
--------------------------	----------

Technical Data

Interior dimension	2.63" x 2.63"
Exterior dimension	3" x 3"
Sandwich plate dimension	3" x 0.75"
Weight	6 lbs
Set screws	.25" - 20

Product

Part

SQ. Arm Adapter	A300.013
Shim only	A300.014

About TORXUN

TORXUN Vehicle Access Technologies engineers architectural-grade products for vehicle access controlled systems. Everything is produced in Tracy, California.



Precision Handcrafted
in Northern California
from U.S. Steel.