

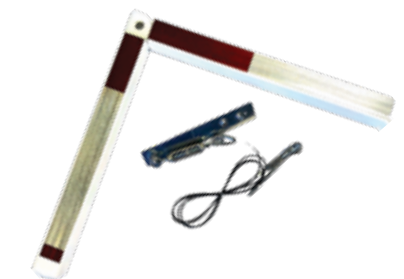
Barrier Gate Arms

Features

- Light weight to reduce stress on gate operator
- Department of Transportation approved highly reflective red/white tape
- Little or no damage if contacts vehicle
- Easy, 5-minute installation
- Easy to retrofit wooden barrier arms
- Easy to adapt to low ceiling garages

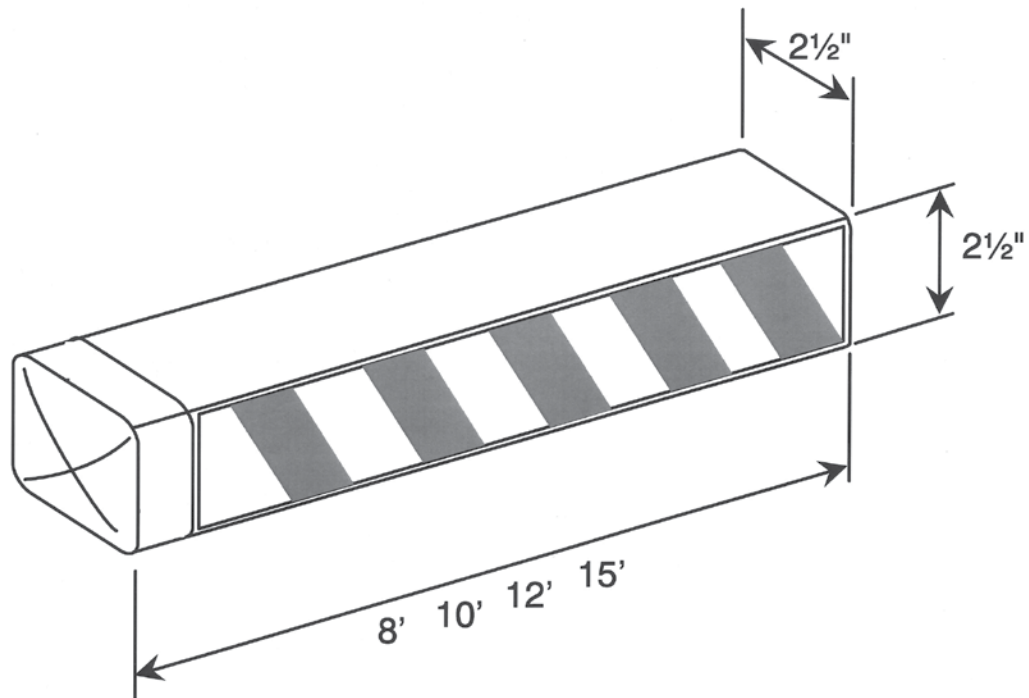


Arm shown with TORXUN Square Arm Adapter



Arm shown with TORXUN Folding Arm Assembly Kit

TORXUN Barrier Gate Arms



Technical Data

| Item | Data |
|--------------------|--|
| Arm material | PVC |
| Tape dimension | 2" |
| Exterior dimension | 2.5" x 2.5" |
| Tape Material | Red & White: 3M GA1616 Synthetic Resin |
| Weight | 10' - 5 lbs 12' - 9 lbs 15' - 10 lbs |

Ordering Details

| Product | Part # |
|---------------|----------|
| 10' red/white | A110.020 |
| 12' red/white | A112.020 |
| 15' red/white | A115.020 |

2-piece arms
available upon request

About TORXUN

TORXUN Vehicle Access Technologies engineers architectural-grade products for vehicle access controlled systems. Everything is produced in Tracy, California.



Precision Handcrafted
in Northern California
from U.S. Steel.