

WeightMaster 325™

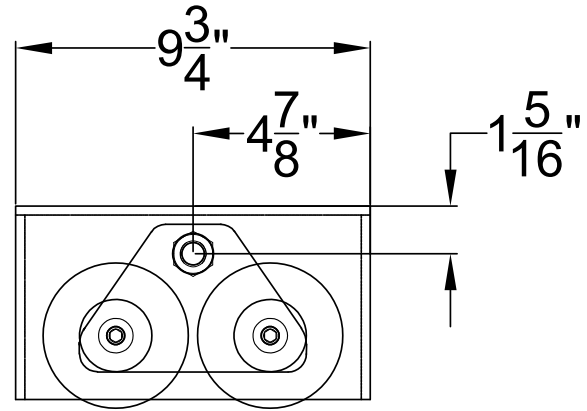
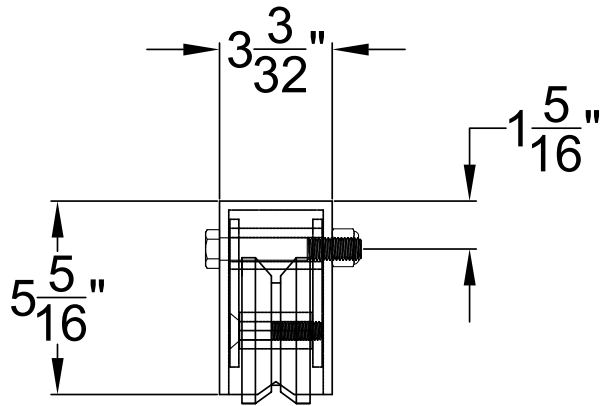


Features

- UL 325 Compliant, fully covered wheels
- Tandem wheel for extreme gate weight
- Pivoting wheels accommodate uneven track
- Magnum sealed-bearing V groove wheels
- Made in the USA with USA steel



TORXUN WeightMaster™



Technical Data

Facility	Data	
Weight	4"	24 lbs
	6"	52 lbs
Steel	1/4" carbon steel	
Dimensions	4"	9-3/4" x 4" x 5-1/2"
	6"	14-5/8" x 4" x 5-1/2"
Gate weight capacity	4"	3,000 lbs
	6"	5,000 lbs

Ordering Details

Product	Part #
4" Weightmaster 325	9907.005R
6" WeightMaster 325	9907.006R

Warranty
 Wheels: 3 years
 Casing: Lifetime of gate

About TORXUN

TORXUN Vehicle Access Technologies engineers architectural-grade products for vehicle access controlled systems. Everything is produced in Tracy, California.



Precision Handcrafted
 in Northern California
 from U.S. Steel.