

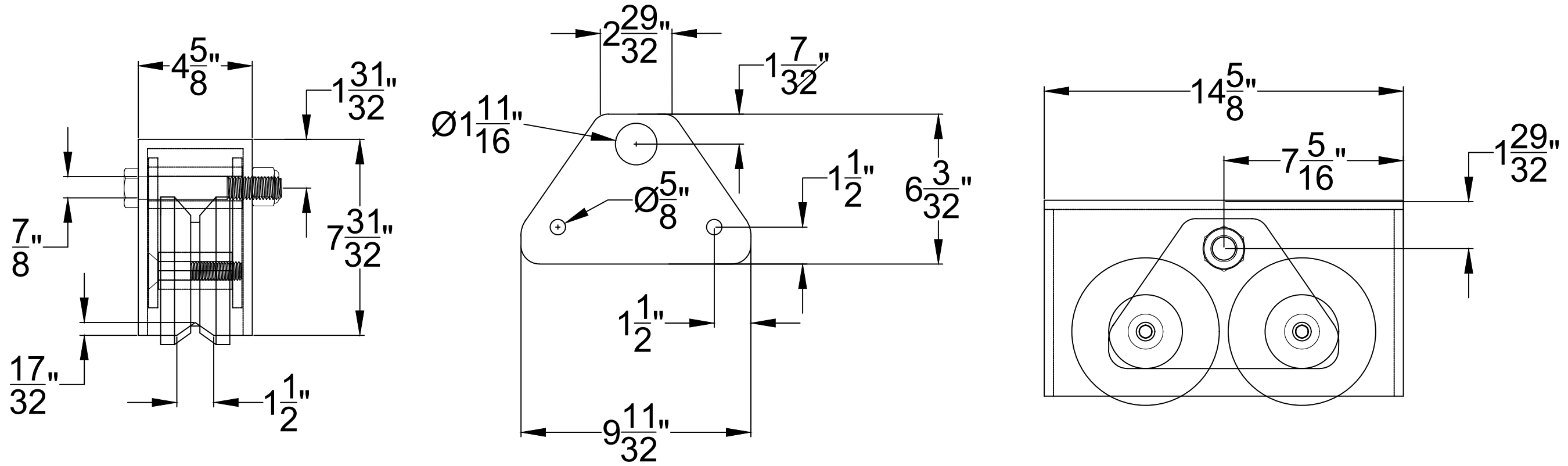
REVISIONS	
DESIGN	05/18/2018

50 SLOAN CT TRACY CA

TANDEM WHEEL
POCKETS

DATE: 05/18/2018
 DRAWN BY: JWM
 SCALE: 3/4" = 1"
 JOB NO:

SHEET
 1 OF 1



① _____