

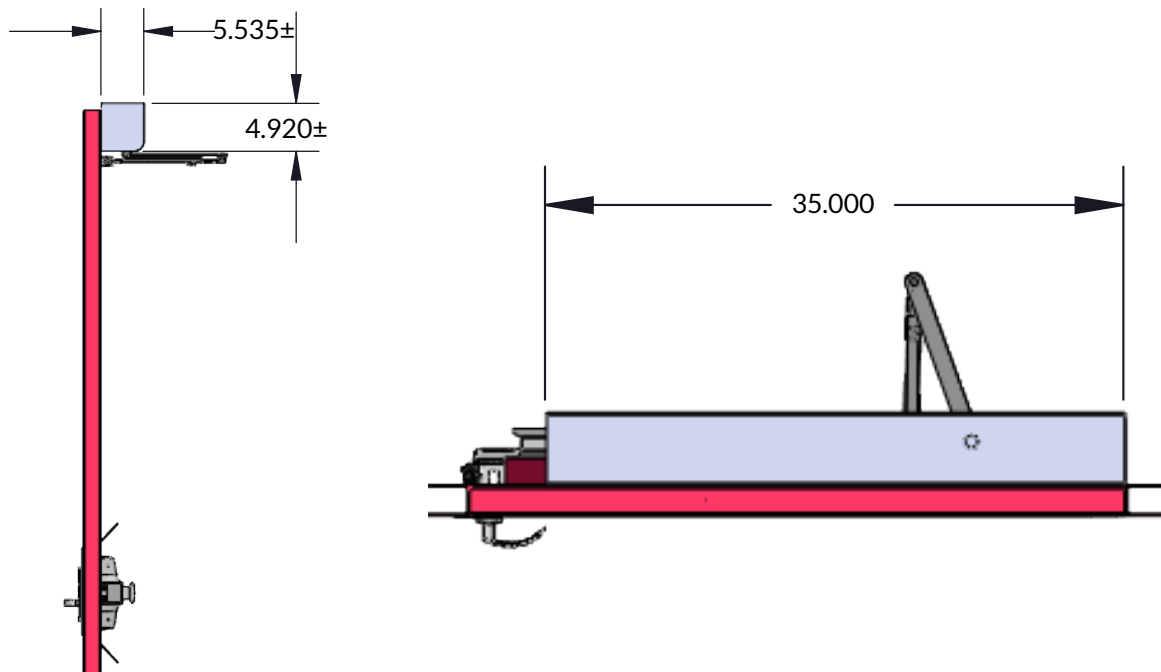


Features

- UL325 Listed
- ANSI 156.19 Compliant
- ADA requirements compatible
- Single Part Number used for left-hand, right-hand, push or pull applications
- Fully outdoor rated
- Multiple speed and time adjustments
- Push-N-Go feature
- 250 Pound Capacity Continual Duty

Scan QR Code
to see it in action!





Technical Data

Feature	Data
Duty Cycle	Continuous
Stainless Cover	316 SST
Gate swing	Max 105°
Opening time	Compliant with ANSI standards
Max gate width	63 inches
Max gate weight	250 lbs
Power	120v, 1.5 amp AUX 24V DC

Ordering Details

Product	Part #
AUTOPED	
Stainless Cover	M10S.0000
Optional Components	
Spindle Extension (+30)	M10S.0018
Open Physical Stop Kit	M10S.0040
Track Arm Assembly	M10S.0039
Header Stiffener Plate	M10S.0011
Standard Arm Assembly	M10S.0028
3-position Key Switch Assembly	M10S.0083
Pressure Gauge Tool	9700.0001

1-year limited warranty

About TORXUN

TORXUN engineers architectural-grade products for vehicle access controlled systems. Everything is produced in Tracy, California.



50 Sloan Court, Tracy, CA 95304
(888) 491-4283



Precision Handcrafted
in Northern California
from U.S. Steel.